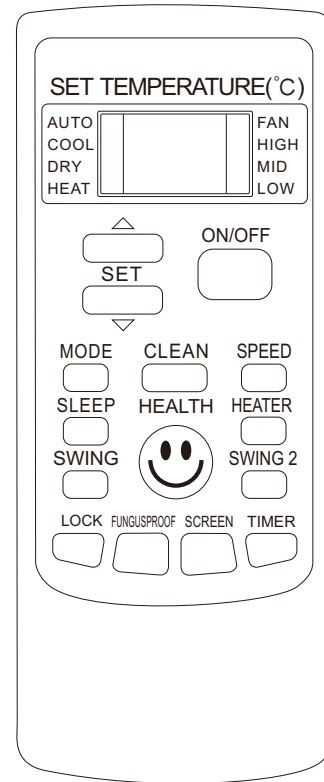


AIR-CONDITIONER REMOTE CONTROLLER INSTRUCTIONS



- Read this “instructions” carefully so that you can use the air-conditioner safely and correctly.
- Take good care of the “instructions” so that it can be referred to at any time.

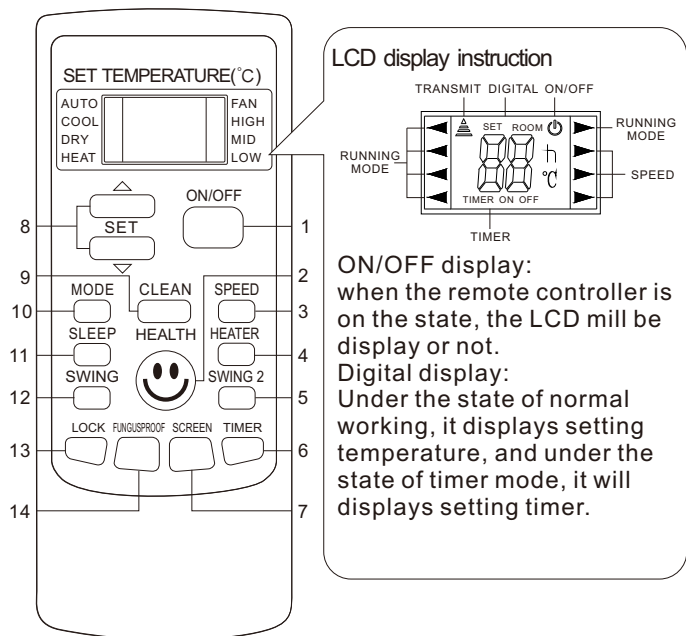
Attention

1. Aim the remote controller towards the receiver on the air-conditioner.
2. The remote controller should be within 8 meters away from the receiver.
3. No obstacles between the remote controller and receiver.
4. Do not drop or throw the remote controller.
5. Do not put the remote controller under the forceful sunrays or heating facilities and other heating sources.
6. Use two 7# batteries, do not use the electric batteries.
7. Take the batteries out of remote controller before stop its using for long.
8. When the noise of transmitting signal can't be heard indoor unit or the transmission symbol on the display screen doesn't flare, batteries need be replaced.
9. If reset phenomenon occurs on pressing the button of the remote controller, the electric quantity is deficient and new batteries need to be substituted.
10. The waste battery should be disposed properly.

CONTENTS

Buttons description-----	1
Usage-----	5
Fix batteries -----	5
Cooling/Heating operation mode-----	5
Fan operation mode-----	5
Drying operation mode-----	6
Night Luminous Function of Remote Controller ----	6
Attention -----	7

Buttons description



Note: The picture is general remote controller, contains almost all of the function buttons. They may be slightly different from material object(depend on model).

1. “ON/OFF” button

You can start or stop the air-conditioner by pressing this button.

2. “HEALTH” button

You can start or stop “HEALTH” function by pressing this button. According to environment temperature, the air conditioner can run intelligently, and choose speed auto-matically. It can create a comfortable surroundings auto-matically to get the most suitable temperature for body.

★ Drying operation mode

1. Press the MODE button, select the Dry operation mode.
2. Press the “△” or “▽” button, set the temperature, temperature can be set at 1°C difference range from 16-32°C.
3. Press the SPEED button, you can select fan speed. You can select fan speed from LOW, MID, HIGH.
4. Press the ON/OFF button, the operation indicator is on, the air-conditioner starts to operate the automatic mode. Press the button again, the air-conditioner stops.

★ Night Luminous Function of Remote Controller(Only the remote controller with this function can be used)

For your convenient use of the remote controller in the darkness without any lighting, this remote controller has blue background light and luminous pushbuttons. No matter what you press on any of the pushbutton, the background light will immediately release soft light so that you are easy to operate the remote controller. If you do not operate the controller within 10 seconds, the background light will automatically disappear.

Note:

All the figures above are the displays after being initially electrified or re-electrified after power off. In actual operations, the remote controller screen displays related items only.

This manual introduces function for all of the remote control, maybe you press one button without any reaction, well, the air-conditioner you bought hasn't this function.

Usage

★ Fix batteries



1. Slide open the cover according the direction indicated by arrowhead.
2. Put into two brand new batteries (7#), position the batteries to right electric poles (+&-).
3. Put back the cover.

★ Cooling/Heating operation mode (cold wind type has no heating function)

1. Press the MODE button, select the Cooling or Heating operation mode.
2. Press the “△” or “▽” button, set the temperature, temperature can be set at 1℃ difference range from 16-32℃.
3. Press the SPEED button, you can select fan speed.
You can select fan speed from LOW, MID, HIGH.
4. Press the ON/OFF button, the operation indicator is on, the air-conditioner starts to operate the automatic mode. Press the button again, the air-conditioner stops.

★ Fan operation mode

1. Press the MODE button, select the Cooling or Heating operation mode.
2. Press the SPEED button, you can select fan speed.
You can select fan speed from LOW, MID, HIGH.
3. Press the ON/OFF button, the operation indicator is on, the air-conditioner starts to operate the automatic mode. Press the button again, the air-conditioner stops.

Remark: In the circulation operation mode, to set the temperature is noneffective.

3. “SPEED” button

You can select fan speed as the following:



4. “HEATER” button

The button is invalid.

5. “SWING 2” button

Press this button, the vertical wind direction vanes can rotate automatically, when you have the desired horizontal wind direction, press it again, the vertical wind direction vanes will be stopped at the situation of your choice.

6. “TIMER” button

Setting the “ON” timer time:

- a. When remote controller is at off state, press “TIMER” button, the LCD displays “TIMER ON” and the timer time, the range of setting time is 0.5h to 24h.
- b. You can press the “△” or “▽” button to adjust the timer time, each touch will be time to in crease or reduce 0.5h before 10hs ago, after ten hours will be set time to increase or reduce 1h per pressing, to enables your required timer.
- c. Press “TIMER” button again, to set the timer on function.
- d. You can set another function to insure the suitable state after air conditioner turn on (including mode, temperature, swing, fan speed and etc). The LCD will displays all your setting and keep it, when the timer reach to the set timer, air conditioner will be working auording to your set automatically.

Setting the “OFF” timer time:

- a. When remote controller is at on state, press “TIMER” button, the LCD displays “TIMER OFF” and the timer time, the range of setting time is 0.5h to 24h.
- b. You can press the “△” or “▽” button to adjust the timer time, each touch will be time to in crease or reduce 0.5h before 10hs ago, after ten hours will be set time to increase or reduce 1h per pressing, to enable your required timer.
- c. Press “TIMER” button again, to set the timer off function.

7. “SCREEN” button

You can let the LCD display working or not by pressing this button.

8. “Δ” or “▽” button

Press the “+” or “-” button, you can set the temperature range from 16°C to 32°C, Display will change when you touch the button.

9. “CLEAN” button

- a. When remote controller is at the off state, press “clean” button, the wind guiding bars turn to initial positions for cooling, the A/C runs “clean” function with max duration 35mins. The purpose of this function is to clean dust on evaporator and dry the inside water of evaporator and to prevent the evaporator going moldy due to water deposition and boasting strange smell.
- b. After setting “clean” function, press “clean” button again to cancel “clean” function or press “ON/OFF” button to cancel “clean” function and start A/C.
- c. The clean function will be stop working after 35 minutes running working without any operation.

Note: “clean” function can be set in parallel with “time start” function; in this case, “time start” function will be executed after “clean” function.

10. “MODE” button

Which enables you to select different operation mode, after each pressing, the operation mode will be changed. It shows in the following display.

COOL→DRY→HEAT→FAN→COOL

Remark: cold wind type has no heating function.

11. “SLEEP” button

- a. Press the SLEEP button, the sleeping indicator light of indoor unit flashes on.
- b. Able the set temperature to increase 1°C after 1hour and another 1°C automatically after 1 hour.
- c. After the setting of sleeping mode, the heating operation enables the set temperature to drop 2°C after 1hour and another 2°C automatically after 1 hour.
- d. The air-conditioner runs in sleeping mode for 7 hours and stops automatically.

Remark: press the MODE or ON/OFF button, the remote controller clears sleeping mode away.

12. “SWING” button

Press this button, the horizontal wind direction vanes can swing automatically, when you have the desired vertical wind direction, press it again, the horizontal wind direction vanes will be stopped at the situation of your choice.

13. “LOCK” button

Pressing the LOCK button at non-lock state, the manipulator enters the state of lock, then all the buttons on the operation panel and the remote controller becomes invalid except for the button LOCK. Pressing it again, the locking state is cancelled and buttons become valid again. (This function can prevent out outsiders or children from fiddling with the air-conditioner)

14. “FUNGUSPROOF” button

This A/C has special dry and anti-mold function which has “yes” or “no” two selections. This function is controlled by the remote controller under cooling and dry modes, the internal fan runs for three minutes with weak wind before stop. The purpose of this function is to dry the inside of the evaporator and to prevent the evaporator from going moldy due to water de-position and thus dispersing strange smell.

Note:

1. **This function has not been set in the factory. You may freely set and cancel this function. The setting method is: under “on” status of the A/C, point the remote controller toward the A/C and continuously press “FUNGUSPROOF” pushbutton for one time, the buzzer beeping six times continually again after five beep, indicating that this function is ready. In case this function has been set, unless the whole A/C is powered off or the function is manually cancelled, the A/C then has this function as default;**
2. **To cancel the function: 1. Power off the whole A/C; 2. Under “on” status of the A/C, point the remote controller toward the A/C and continuously press “FUNGUSPROOF” pushbutton for one time, the buzzer beeping three times continually again after five beep, indicating that this function has been cancelled;**
3. **When this function is on, it is suggested not to restart the A/C before it is completely stop;**
4. **This function will not run in case of time stop or sleep stop.**